

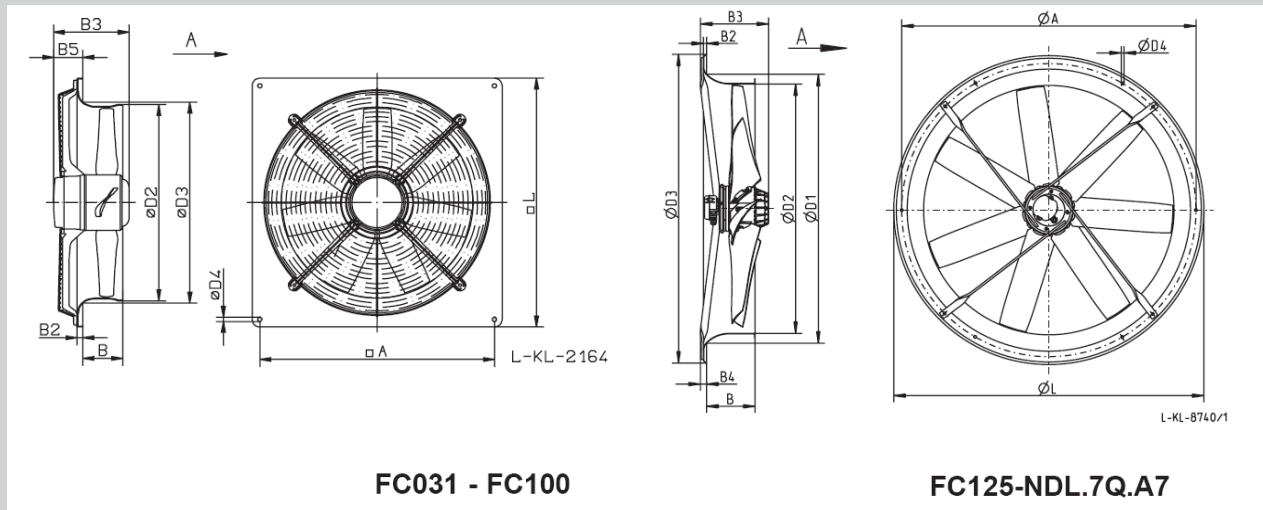
Plate Fans

Technical Detail and Dimensions

Technical Details																	Sound
Diameter	Phase	Dimensions									Speed	Power	Current (A)		Capctr	Max Amb	Pressure
		A	B2	B3	B	B5	D2	D3	D4	L			rpm	input (W)			
315	single	380	11	100	69	22	324	330	9	430	1370	125	0.63	0.82	3	65	46
360	single	435	12	113.5	75	24	367	375	9	485	1330	165	0.84	0.96	4	60	46
400	single	490	12	130.5	88	29.5	412	420	9	540	1350	290	1.45	1.55	5	60	49
450	single	535	14	125.5	96	28	463	480	11	575	1370	360	1.95	2.25	6	60	54
500	single	615	16	197.5	104	77	517	528	11	655	1290	510	2.30	2.70	8	70	53
630	single	750	16	217.5	134	59.5	643	670	11	805	880	600	2.70	3.00	12	60	53
710	single	810	20	260.5	160	37	720	765	14.5	850	850	890	4.10	4.50	16	60	55
800	single	910	17	272.0	208	64	804	869	14.5	970	830	1350	6.10	6.30	20	60	-
315	three	380	11	100	69	22	324	330	9	430	1390	110	0.25	0.29	-	70	46
350	three	435	12	113.5	75	24	367	375	9	485	1390	175	0.39	0.41	-	70	47
400	three	490	12	130.5	88	29.5	412	420	9	540	1380	280	0.60	0.65	-	70	55
450	three	535	14	125.5	96	28	463	480	11	575	1390	360	0.75	0.80	-	70	54
500	three	615	16	197.5	104	77	517	528	11	655	1380	550	1.05	1.20	-	70	54
630	three	750	16	217.5	134	59.5	643	670	11	805	890	590	1.40	1.40	-	60	53
710	three	810	20	260.5	160	37	720	765	14.5	850	890	890	1.80	1.90	-	70	55
800	three	910	18	248.5	192	34	804	870	14.5	970	900	1500	2.60	2.90	-	60	55
1000	three	1110	20	324	200	40	1016	1070	14.5	1170	650	2200	4.20	4.40	-	70	57

Maximum currents under motor speed control are up to 15% higher than running currents.

Acoustic pressure level taken, free blowing at a distance of 7m on the output side, 45 degrees of the axis of the fan.



www.epaproducts.co.uk

■ KIMPTON, NR. HITCHIN, HERTFORDSHIRE SG4 8QB

■ PHONE: 01438 832281 ■ FAX: 01438 832162 ■ EMAIL: info@epaproducts.co.uk