

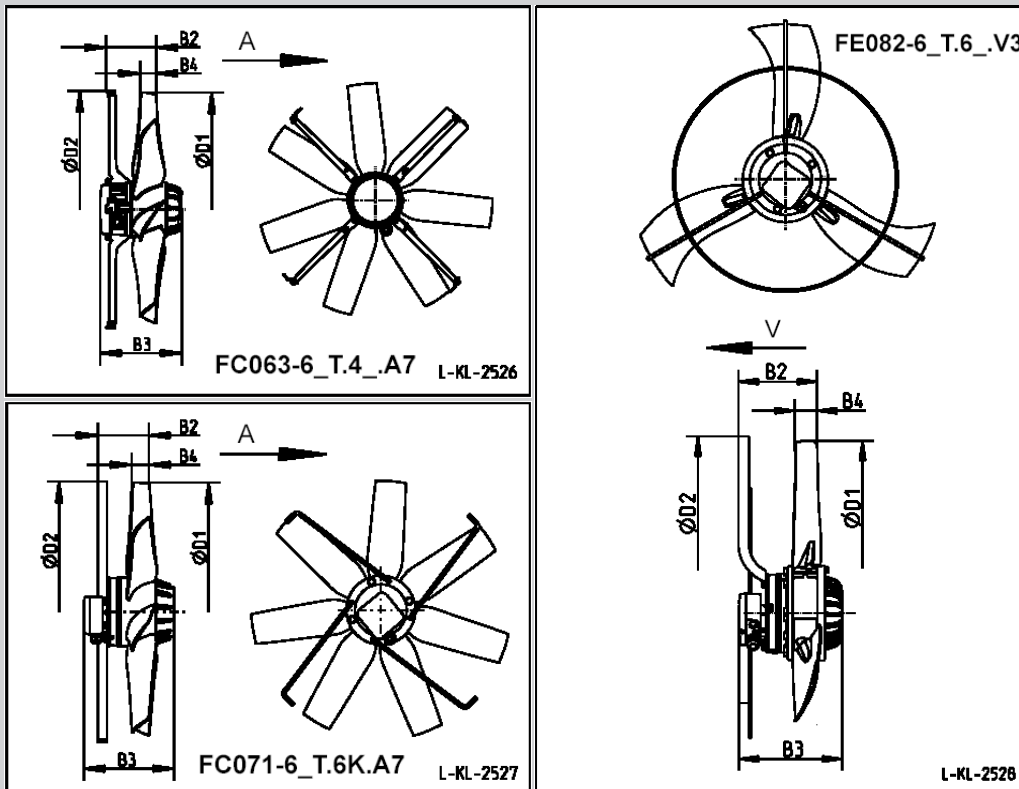
## Chimney Fans

Technical details and dimensions

Technical Details													Sound
Diameter	Phase	Dimensions					Speed	Power	Current		Capacitor	Max Amb	Pressure
mm		B3	B4	B2	D1	D2	rpm	input (W)	rated	max	mf	°C	LpA(dB(A))
630	single	217.5	43	134.5	627	633	880	600	2,7	2,7	12	70	53
710	single	245.5	47	139.5	703	709	850	890	4,1	4,6	16	60	57
820	single	245.5	55	184,0	820	840	770	770	3,8	4,4	16	70	55
630	three	197,5	43	134,5	627	633	890	590	1,3	1,3	-	60	53
710	three	245,5	47	139,5	703	709	890	890	1,8	1,8	-	70	57
820	three	220,5	55	184,0	820	840	910	780	1,7	1,7	-	60	55

Maximum currents under motor speed control are up to 15% higher than running currents.

Acoustic pressure level taken, free blowing at a distance of 7m on the output side, 45 degrees to the axis of the fan. Mounting brackets for the 630 mm and 820 mm diameters are available as accessories.



[www.epaproducts.co.uk](http://www.epaproducts.co.uk)

■ KIMPTON, NR. HITCHIN, HERTFORDSHIRE SG4 8QB

■ PHONE: 01438 832281 ■ FAX: 01438 832162 ■ EMAIL: [info@epaproducts.co.uk](mailto:info@epaproducts.co.uk)