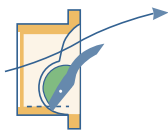
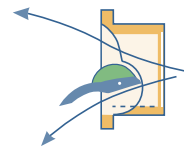


Model 145-VFG



Capacity in m³/hour at static pressure of:

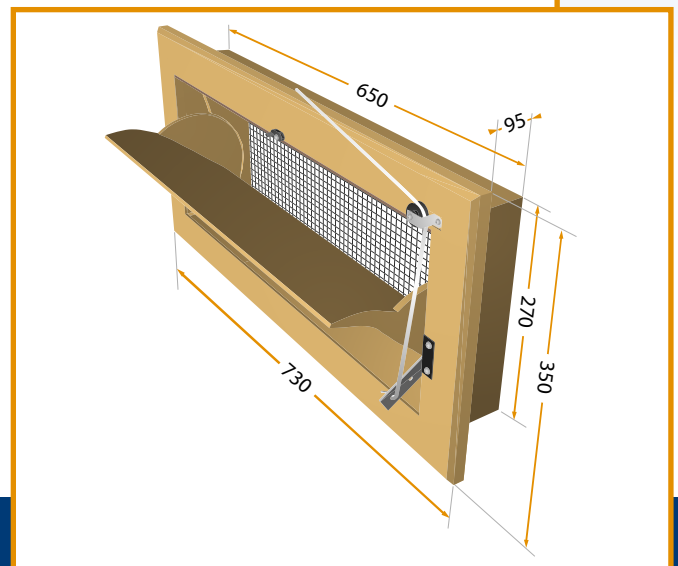
MODEL	10Pa	20Pa	40Pa
145-VFG	1450	2050	2900




Model 145-VFG

Flange model with the flange on the front side for almost all applications. Divided air direction; up to 35% air enters only from the top side; above 35% also from the bottom side. Control by means of one stainless steel side arm. This inlet is executed with a curved inner flap.

Also available in self-closing execution.



 Member of SP Group A/S

TPI-Polytechniek BV

De Steenbok 24
5215 ME 's-Hertogenbosch
The Netherlands

Phone: +31 (0)73-656 91 94
Fax: +31 (0)73-656 69 33

E-mail: info@tpi-polytechniek.com
Internet: www.tpi-polytechniek.com