

The 2017 model of the 3000-VFG-C air inlet valve is made entirely of high-quality polyurethane. It has three metal reinforcements inside the housing and two in the inner flap. Seals are placed around the housing to prevent air leakage. This combination of material and seals mean that the flap is perfectly suited for use at extremely low temperatures. The newly developed central control arm is made of stainless steel. The 3000-VFG-C has a curved inner flap which is hinged in the middle. Because of that from a certain opening fresh air is entering also through the bottom of the flap. This makes the flap very suitable for use in floor housing. A self-opening version of the inlet is supplied as standard. A self-closing version is available on request.

CAPACITY

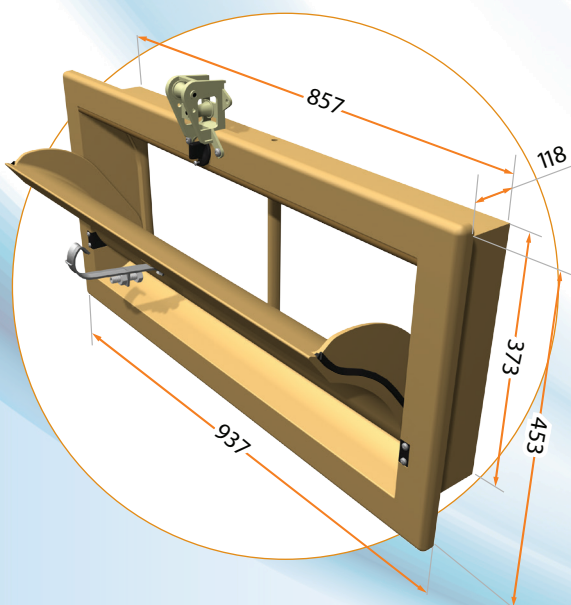
Capacity in m³/hour at a static pressure of:

Model	10 Pa	20 Pa	40 Pa
3000-VFG-C	2900	4100	5800

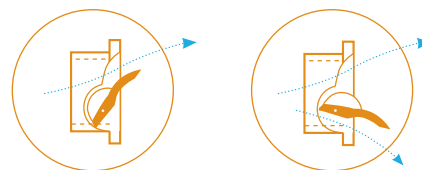
INFORMATION

Run	45 cm / 17.7 inch
Force	2 kg / 19.6 Newtons
Number / pallet (1.30 x 1.00 x 2.40 m)	42 (2 boxes)

SPECIFICATIONS



AIR FLOW



ACCESSORIES

Wire mesh 3000-VFG-C	TPI-118
Connection set 3000-VFG-C	TPI-204c
Closing catch with spring	TPI-307
Pulley unit	TPI-421
Wind hood 3000	TPI-951
Light trap	TPI-918
Suspension brackets for wind hood	TPI-902